

# 2015+ Chrysler 300C High Output Intercooled System **Installation Guide**





The **ULTIMATE** Power Adder™

Accessible Technologies, Inc.  
 14801 W. 114th Terrace  
 Lenexa, KS 66215  
 Phone: 913.338.2886  
 Fax: 913.338.2879  
 techserv@procharger.com

All rights reserved. Accessible Technologies Inc. hereby grants permission to use and reproduce this document for personal use, provided that all copyright information be retained. Reproduction of this document for unauthorized commercial use is strictly prohibited.

Information in this document is subject to change without notice.

ProCharger is a registered trademark and The Intercooled Supercharging Experts!<sup>™</sup> and Designed to Blow Away the Competition<sup>™</sup> are trademarks of Accessible Technologies, Inc. and may not be used without express permission.

TORQUE SPECIFICATION CHART	 GRADE 5			 GRADE 8		
	Thread Size	Torque (lb.ft.)			Torque (lb.ft.)	
1/4-20	11	8	7	16	12	10
1/4-28	13	10	8	18	14	11
5/16-18	23	17	14	33	25	20
5/16-24	26	19	15	36	27	22
3/8-16	41	31	25	58	44	35
3/8-24	47	35	28	66	49	39
7/16-14	66	49	40	93	70	56
1/2-13	101	75	60	142	106	85
1/2-20	113	85	68	160	120	96

# INTRODUCTION

Congratulations on purchasing your ProCharger® 2015+ Chrysler 300C Intercooled System. Read this entire manual before you attempt to install your ProCharger kit. It is imperative that you follow all of the instructions in the order they appear in this installation guide. If you have any questions regarding any aspect of this installation, call us at (913) 338-2886.

For best results, we recommend reviewing the installation instructions beforehand, and following the installation instructions closely and in sequence. A detailed packing list has been provided to assist you in identifying the components of your ProCharger system.

You should also have the following gauges available to properly check the finished installation and monitor your vehicle's performance (especially for testing):

- Manifold Boost Pressure Gauge
- Fuel Pressure Gauge
- Wide Band Oxygen Sensor and Gauge

Gauges should be of a type that can be read from the cockpit while performing a wide-open throttle road test. Cockpit or hood-mounted gauges are preferable. In order to obtain usable readings, the gauges should measure pressure at the intake manifold and fuel rail. IF VEHICLE DOES NOT MAINTAIN PROPER FUEL PRESSURE (50-65 PSI), DECREASE THROTTLE APPLICATION IMMEDIATELY. In some cases, extra vehicle modifications can strain the stock fuel pump. If your vehicle has difficulty retaining adequate fuel pressure, contact ATI ProCharger about the availability of an upgraded fuel system.

The engine on which the ProCharger® is to be installed should retain the factory compression ratio. If it has been modified in any way, please consult ProCharger staff before proceeding with the installation. This supercharger system is intended for use on STOCK, strong, well-maintained engines/transmissions. Installation on a worn or troublesome powertrain should be reconsidered. ATI PROCHARGER WILL NOT BE HELD RESPONSIBLE FOR DAMAGE TO A VEHICLE'S POWERTRAIN. ATI ProCharger is not responsible for ECM tuning/programming on non-stock vehicles. ATI PROCHARGER recommends verifying that your vehicle has current ECM updates from the vehicle manufacturer before installation.

For best performance and reliability, always use premium grade fuel (91 octane or higher) and listen closely for signs of detonation, which might sound like ball bearings rolling around in a tin can. IF DETONATION SHOULD OCCUR, OR IF YOU ARE UNSURE WHETHER WHAT YOU'RE HEARING IS DETONATION, DECREASE THROTTLE APPLICATION IMMEDIATELY and please consult ATI ProCharger staff. Detonation should not be an issue with a properly installed intercooled supercharger system, though OEM factory-shipped engine and parts inconsistencies are possible on any vehicle.

## Required Tools and Supplies

- 3/8" & 1/2" Socket Sets (standard & metric)
- Open End Wrench Set (standard & metric)
- 3/8" Hex Bit Set (allen head)
- Flat Screwdrivers
- Phillips Screwdrivers
- Plier Set
- Right Angle Drill
- Coolant
- Pipe Thread Sealant
- Vacuum Pump



**Warning:** Your supercharged Charger must always be run on 91 octane or higher gas. Do not run vehicle at wide-open throttle if you have less than 1/4 tank of gas.

# TABLE OF CONTENTS

Introduction .....	i
Stock Component Removal.....	1
Crank Pulley Pinning .....	9
ProCharger Head Unit .....	12
Serpentine Belt.....	15
Intercooler .....	16
Surge System.....	24
Vacuum Manifold .....	25
Fuel System .....	26
Coolant Reservoir .....	28
Finishing.....	32
Operation and Maintenance .....	35
Limited Warranty .....	37

**TUNING IS REQUIRED WHEN INSTALLING YOUR PROCHARGER SYSTEM. IF A COMPLETE SYSTEM WAS PURCHASED. SEE SUPPLEMENTAL TUNING GUIDE. IF A TUNER KIT WAS PURCHASED. TUNING WILL HAVE TO BE PERFORMED BEFORE OPERATING THE VEHICLE.**

✓ **Tech Tip:** *Installing spark plugs that are one heat range colder than stock and gapping your plugs to .035" is recommended.*

✓ **Tech Tip:** *If performing the fuel pump upgrade, make sure the fuel tank is less than half full. A full tank will result in spilled fuel when the fuel pump lid is removed.*

# STOCK COMPONENT REMOVAL



Completion of this section will configure the vehicle for system installation:

- (A) Factory Air Filter Box
- (B) Intake Air Temp. Sensor
- (C) PCV Tube
- (D) Plastic Engine Cover

**!** **Warning:** Read and understand all safety precautions in this manual before installation. Failure to comply with instructions in this manual could result in personal injury, property damage, and/or voiding your warranty.

### Engine Air Filter/Engine Cover

- 1 Disconnect the battery ground.
- 2 Remove the engine cover by pulling upward.
- 3 Remove the IAT (Intake Air Temperature) sensor.
- 4 Remove the PCV Hose from the intake assembly to the oil filler cap housing.
- 5 Remove the engine air filter assembly bolt with an 8mm socket.
- 6 Loosen the clamp from the air filter assembly to throttle body connection with an 8mm nut driver.
- 7 Remove the entire air filter assembly from the vehicle.



Remove Engine Cover



Remove IAT Sensor



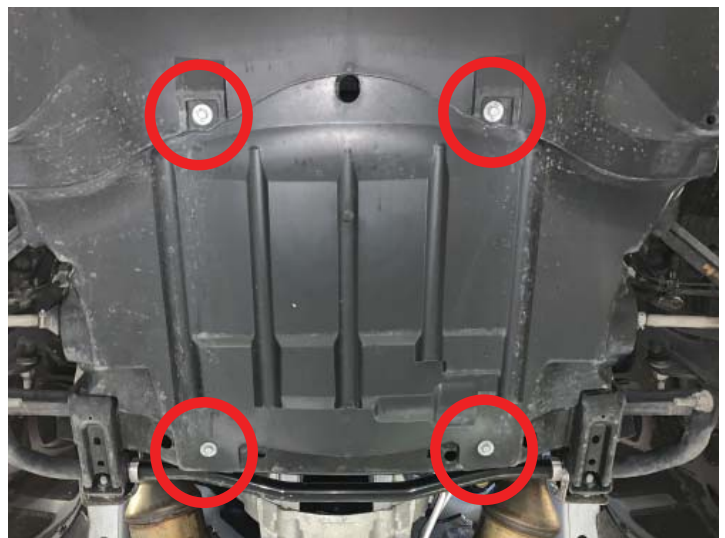
Remove Air Filter Assembly Bolt

## Underside Body Cladding

- 1 Raise the vehicle.
- 2 Remove the front wheels from the vehicle. Use a 22mm socket for lug removal.
- 3 Underneath the vehicle, remove the (4) 10mm bolts and remove the back cladding.
- 4 Underneath the vehicle, remove the (8) 7mm bolts and (3) push clips from the bottom of the front cladding.
- 5 Remove the (3) push clips from each side. Remove the front cladding from vehicle.



Remove Front Wheels



Remove Back Cladding



Remove Front Cladding



Remove Front Cladding

## Front Fascia

- 1 Remove the (3) push pins from the wheel well on each side. On some models, these are plastic rivets. Use a punch, drill, or side-cutter to remove the rivet.
- 2 Remove the (1) 10mm bolt from the front bumper behind the wheel well on each side.
- 3 Unplug both side marker lights.
- 4 Unplug both fog lights and the main harness located on the passenger's side as shown.



Wheel Well



Wheel Well Bumper Bolt



Unplug Wiring Harness



- 5 Remove the (10) push pins retaining the radiator shroud to the core support.



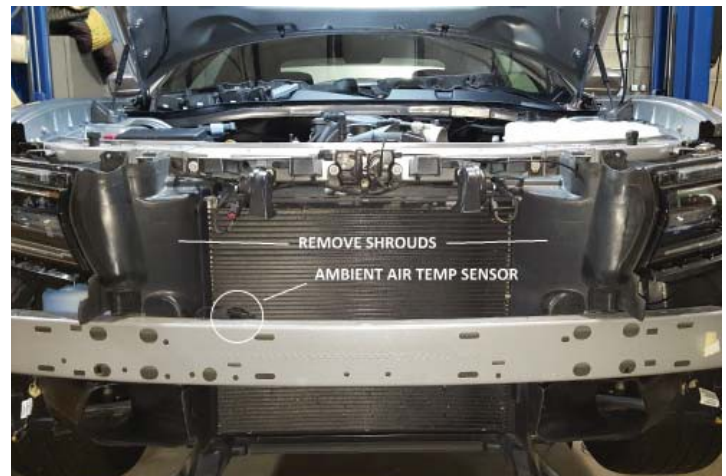
Wheel Well

- 6 Remove the front fascia from the vehicle by pulling out on each side and pulling up on the tops, unsnapping the fascia, then pulling the fascia straight off the front of the vehicle.



Fascia Hardware Location

- 7 Remove the plastic radiator shrouds located behind the front bumper (this shroud will not be re-used). Remove the three lower panel fasteners, the panel fastener holding the ambient air temp. sensor to the shroud, and pull the push pin securing the ambient air temp. sensor wiring harness to the shroud.



Brake Duct Fasteners

## Stock Component Removal

- 8 Remove the plastic shroud located on the driver's side of the vehicle by removing the four panel fasteners securing it to the vehicle.



Remove Plastic Shroud

- 9 Use a 3/8 drive ratchet to actuate the belt tensioner towards the passenger's side. Remove the serpentine belt.



Actuating Tensioner

- 10 Remove the factory automatic belt tensioner using a 16mm socket.

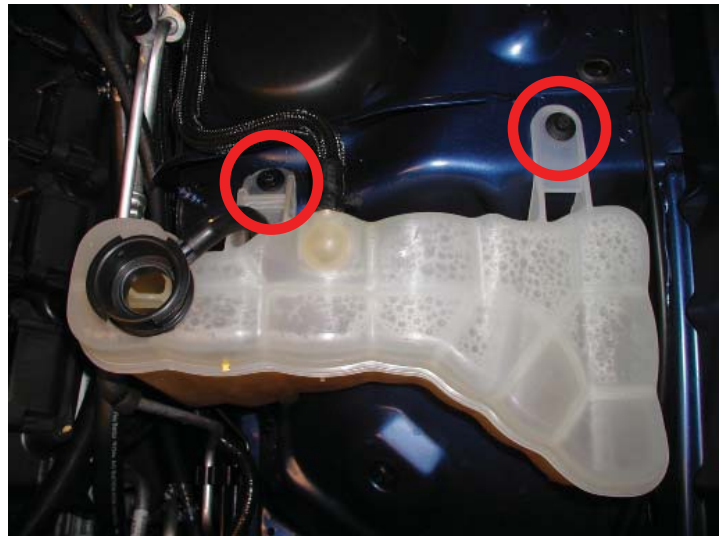
- 11 Using a 10mm socket, remove the factory horns and horn brackets (one on each side). Unplug the wiring harnesses from the horns and remove the horns from the brackets using a 10mm wrench. The brackets will no longer be used, however, retain the factory hardware for later use.



Factory Horn Locations

## Cooling System

- 1 Remove the coolant reservoir cap. Place a container under the cooling system drain cock located on the passenger's side, bottom of the radiator. Turn the drain cock and allow all of the coolant to drain before proceeding. Once all the coolant has drained, close the drain cock.
- 2 Remove the two 10mm bolts fastening the coolant reservoir to the vehicle.
- 3 Press the factory clamps together and pull the 3/4" and 3/8" factory coolant lines off of the factory coolant reservoir. Remove the reservoir from the vehicle, it will no longer be used.



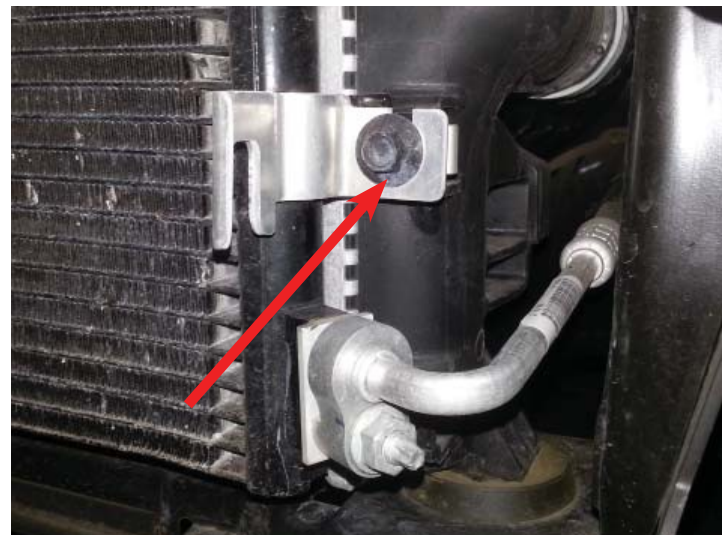
Remove Coolant Reservoir Bolts



Reservoir Removed

2015-16 Model Years:

- 4 Use a 10mm to remove the small bracket on the driver's side of the radiator.



Remove Radiator Bracket

## Stock Component Removal

2017 Model Years:

- 5 If the tab is not removable, bend the tab back towards the radiator.



Bend Radiator Bracket

## CRANK PULLEY PINNING

- 1 Remove the four 13mm bolts securing the radiator cradle (two on each side of the vehicle). Pull the cradle straight down and out of the vehicle.

✓ **Tech Tip:** At this point, the radiator will be hanging with no support. Support this using a jack/jackstands/etc.



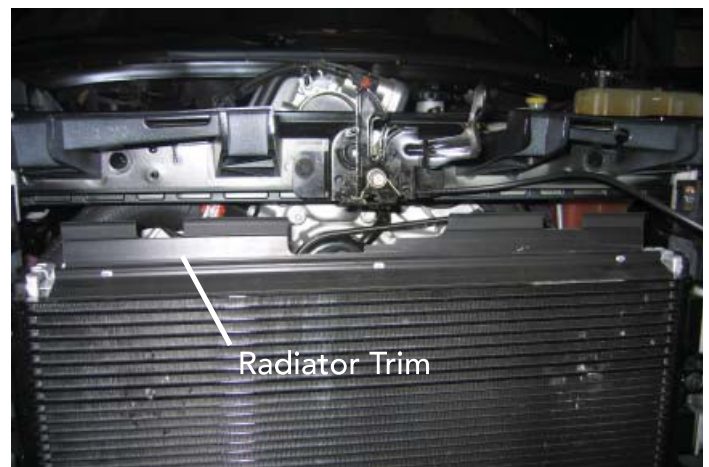
Radiator Cradle Bolts (Pass. Side)

- 2 Remove the two 10mm bolts (one on each side of the vehicle) securing the upper radiator mounts. Remove the mounts from the vehicle for later use.



Radiator Upper Mount Bolts (Driver's Side)

- 3 Remove the upper radiator plastic trim by pulling the trim away from the sheetmetal tabs securing it to the radiator. This will not be re-installed.



Upper Radiator Plastic Trim

## Crank Pulley

- 4 Disconnect the electrical connection to the fan. Remove the two 10mm bolts located on each side of the fan assembly, accessible from the top of the vehicle. Lift the fan up off of the lower supports, then out the bottom of the vehicle for removal.

✓ **Tech Tip:** Tape a piece of cardboard to the radiator on the engine side to prevent damage to radiator fins while pinning the crank.



Factory Crank Pulley and Bolt

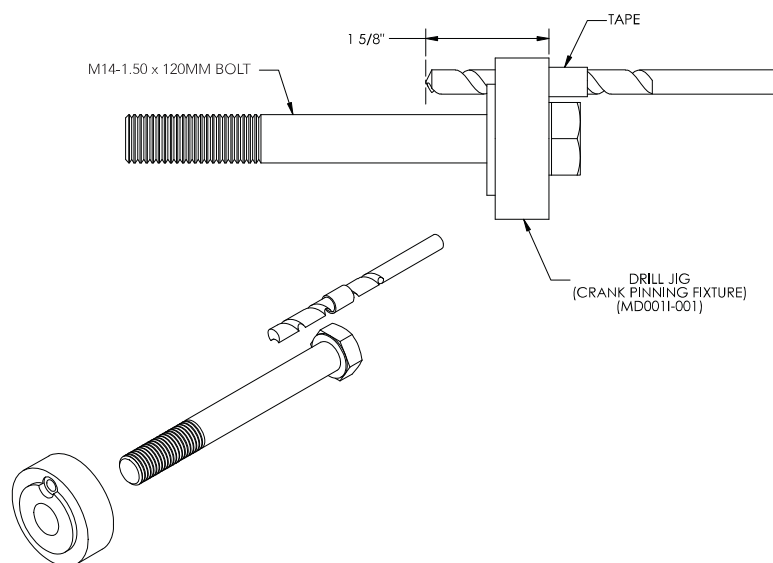
- 5 Remove the 21mm crank pulley bolt.

✓ **Tech Tip:** Use an impact for ease of removal. If not available, remove the access cover to the transmission and use a sufficient tool to lock the transmission in place for bolt removal.

- 6 Place the drill jig onto the crank pulley, and used a 7/8 socket to tighten it into place using the supplied M14-1.50 x 120mm hex head bolt and washer.



Drill Jig Installed



Crankshaft and Harmonic Balancer Drill Jig

- 7 Tape the supplied 1/4" HSS drill bit 1-5/8" from the tip. Using this taped bit, drill a hole in the crankshaft and harmonic balancer, stopping at the tape edge. The hole will be centered on the OD of the crankshaft. Do not drill deeper than .800" into the face of the crankshaft.

- 8 Remove the pinning tool and set aside. Use compressed air to thoroughly clean the chips from inside the drilled hole and the surrounding area.

- 9 Install the supplied 1/4" OD x .75" long stainless steel dowel pin in the hole. Re-install the crank pulley bolt and tighten to 129 ft-lbs.



Drilling the Crank



Crank Pulley Pinned to Crankshaft

## PROCHARGER HEAD UNIT

- 1 Use a 13mm to remove the (3) bolts that hold the idler bracket assembly to the cylinder head.



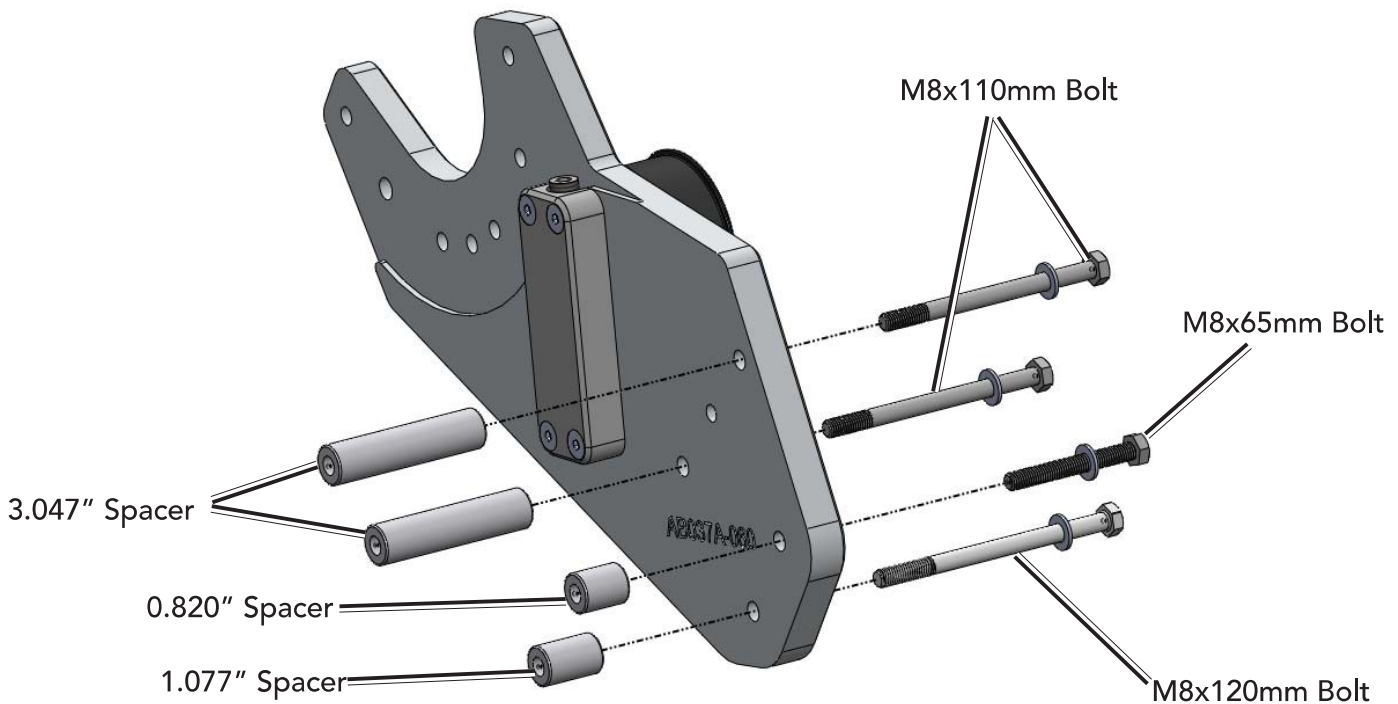
Remove Idler Bracket

- 2 Use a 13mm to remove the (2) timing cover bolts below the idler bracket mounting location.



Remove Timing Cover Bolts





- 3 Remove the ribbed idler from the main bracket. Keep the bolt, washer, pulley, and pulley shaft together.
- 4 Install the main bracket with bolts, washers and spacers as shown in the schematic.



Main Bracket Installed

- 5 Use a 9/16 to reinstall the ribbed idler pulley onto the main bracket.

✓ **Note:** The retaining clip on the idler bearing should be facing the bracket for the proper offset.

- 6 Reinstall the factory tensioner.

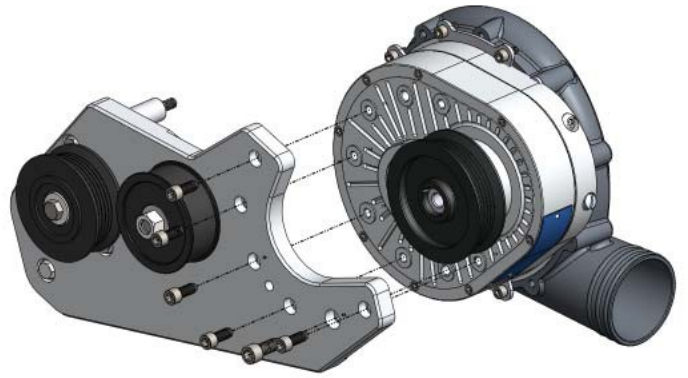


Ribbed Idler Installed

## ProCharger Head Unit

- 7 Remove the ProCharger oil fill reminder tag from the head unit. Fill the head unit with one of the supplied bottles of ProCharger supercharger oil. You will need to remove the fill plug/dipstick using a flat headed screwdriver. After filling the head unit with oil, replace the fill plug/dipstick
- 8 If pre-installed on the bracket, remove the small smooth idler pulley.
- 9 Install the ProCharger onto the main bracket using the (1) 3/8" SHCS and (5) 5/16" SHCS. Tighten all SHCS.
- 10 Install the smooth idler using the 0.260" idler shaft, 3/8" fine thread bolt, and washer.

✓ **Note:** The retaining clip on the idler bearing should be facing the bracket for the proper offset.

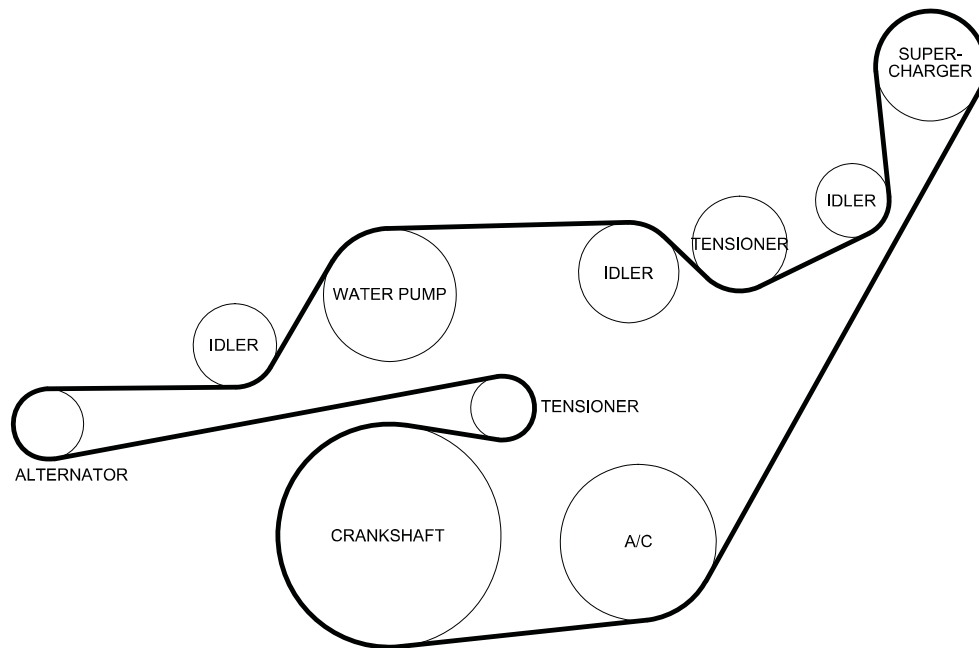


Procharger Head Unit Hardware



Idlers Installed

# SERPENTINE BELT



- 1 Use a 3/4" wrench to loosen the nut on the tensioner pulley. Use a 1/4" hex bit to run the slide tensioner pulley all the way up.
- 2 Install the serpentine belt as shown below.
- 3 Use a 1/4" hex bit to run the slide tensioner pulley down until the belt is tight.
- 4 Using a 3/4" wrench, tighten the bolt at the front of the pulley to lock the tensioner pulley in place.



Belt Routed



Tensioner Screw

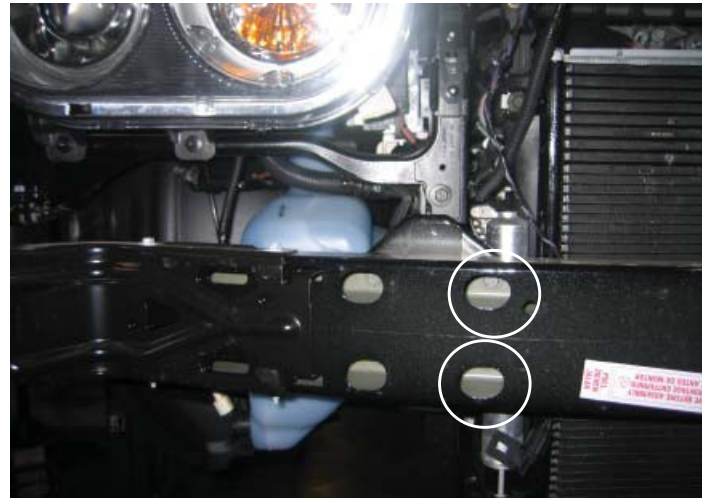
# INTERCOOLER

## H.O. Intercooler Installation

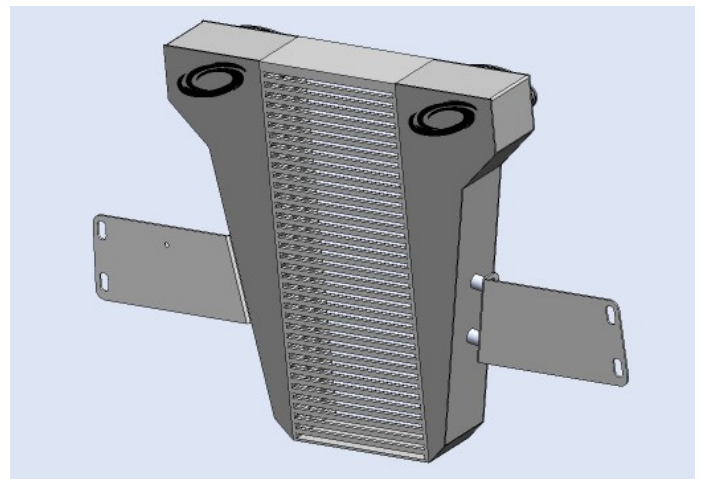
For Race Intercooler Skip to Page 18

- 1 Mount the brackets to the intercooler loosely using the four supplied 3/8-16 x 3/4" bolts and washers. Be sure to mount the brackets in the proper orientation (see image at right).
- 2 Remove the four (two on each side of the vehicle) 13mm bolts securing the front bumper to the vehicle. Install the supplied (4x) longer bolts and tighten. The intercooler brackets will mount over the extended length of the thread on the backside.
- 3 Slide the intercooler assembly with the ProCharger logo's facing the front of the car over the extended thread length between the bumper support and condenser. Using the (4x) M8 washers and locknuts, tighten hardware to secure the intercooler. The intercooler brackets are slotted, adjust it to eliminate interference with the bumper support, condenser, or any other hardware.

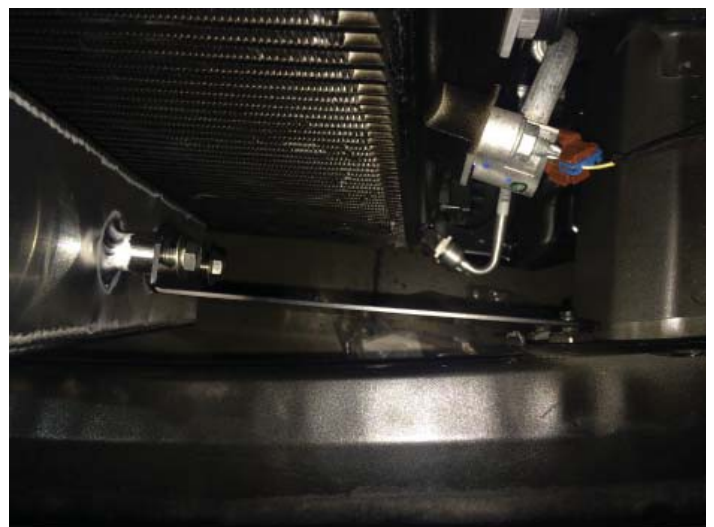
✓ **Tech Tip:** If needed there are 0.300" tube spacers provided to place in between the intercooler brackets and the intercooler.



Front Bumper Bolt Locations (Pass. Side)



Intercooler and Bracket Orientation



- Two sections of rubber insulated tape have been included with the system. Place these behind the front bumper to protect the intercooler from making direct contact with the bumper. Place one piece of tape on each side (left and right) of the intercooler.



Place Tape Between Intercooler and Front Bumper for Insulation

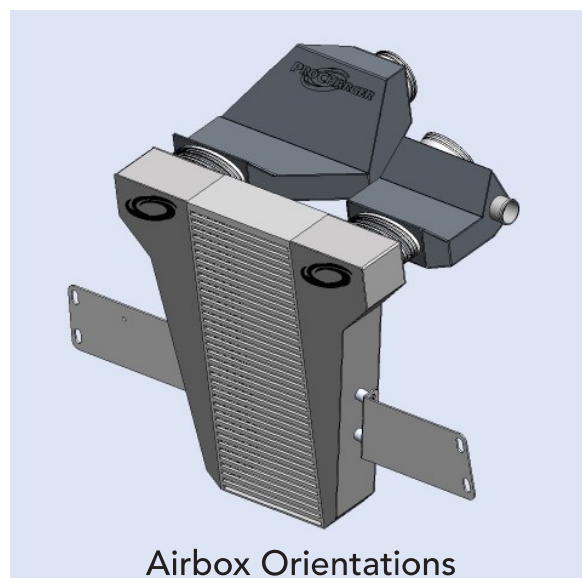
- Re-install the front bumper bolts through the intercooler bracket holes and tighten.



Intercooler Mounted

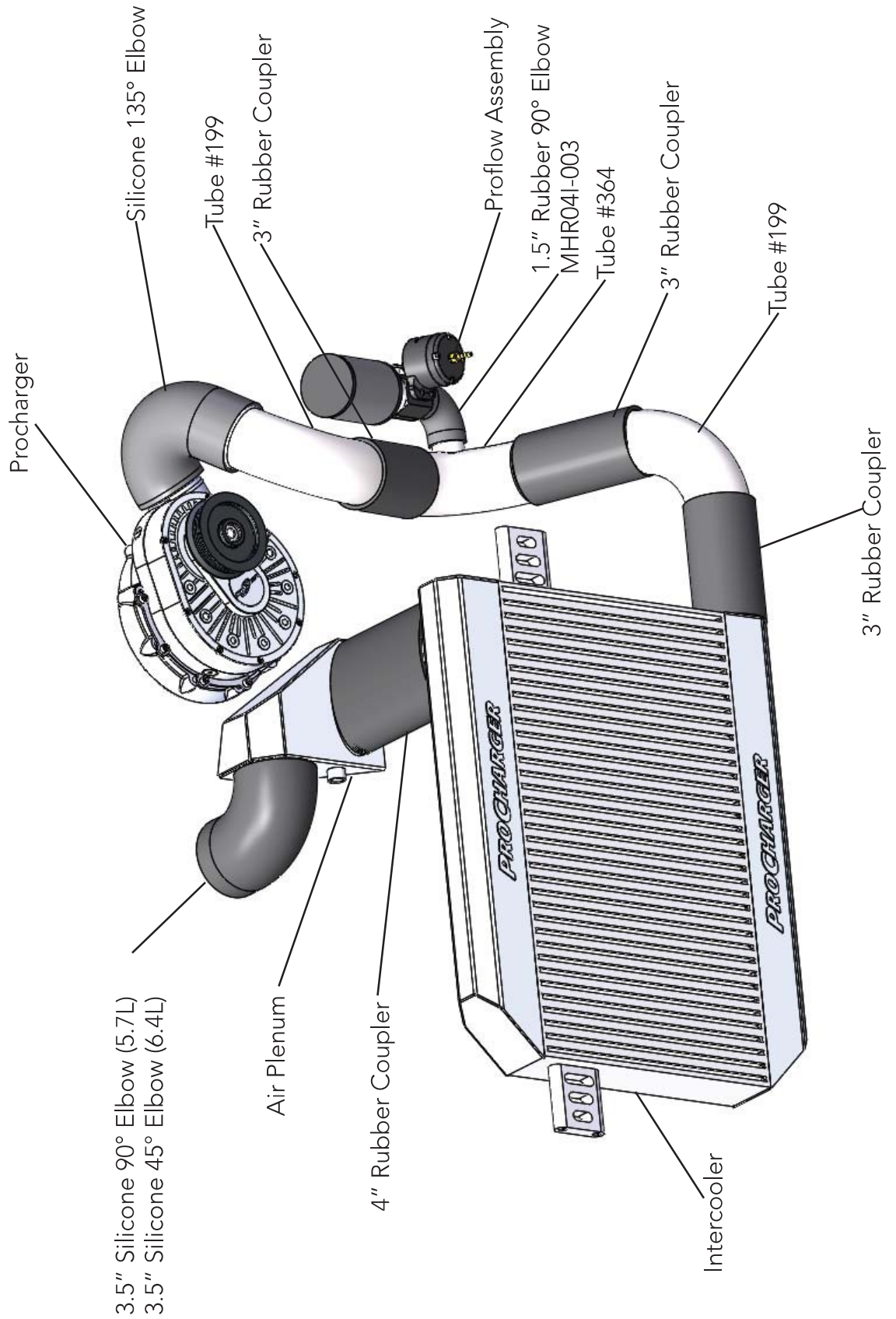
- Install the supplied airboxes. It is easiest to slide the 2" sections of rubber hose onto the end of each airbox where it will mount up to the intercooler first. Slide the four #64 hose clamps (2 on each hose) onto the hose at this time as well. The airboxes mount in the opening above the radiator.

- With the intercooler and airboxes in position, tighten the intercooler bolts from step 1.



Airbox Orientations

# RACE INTERCOOLER AND TUBING SCHEMATIC



## Race Intercooler Installation

For H.O. Intercooler Skip to Page 20

- 1 Assemble the intercooler brackets. The offset portion of the intercooler brackets goes towards the back, to push the intercooler out from the vehicle to gain room from the condenser. Use the (4) M6 x 25mm bolts and washers for assembly.
- 2 Mount the brackets to the vehicle using the two M8 x 60mm bolts and washers for the lower connections, and the two M6 x 20MM bolts and washers for the upper connections.

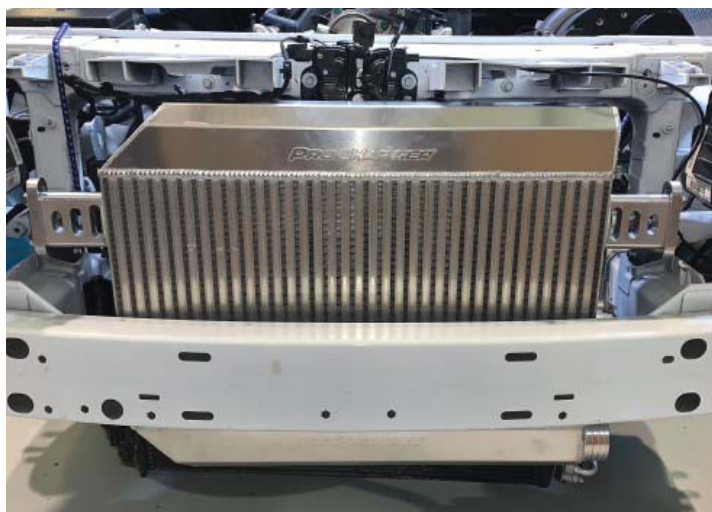
✓ **Tech Tip:** If the body holes do not allow for proper bracket mounting, drill out the top hole to a larger size.

- 3 Slide the intercooler up from underneath. Mount it to the brackets using the four 3/8-16 x 1" bolts and washers. Before installing the passenger's side upper bolt and washer, slide the horn relocation bracket between the bolt and intercooler bracket. Position the intercooler as high up as possible. Tighten the assembly.

- 4 Undo the horn wiring harness from the body to allow it to reach both horns on the passenger's side. Mount the horns with the factory 10mm nuts onto the supplied horn relocation bracket in the orientation shown at right. Point the horns down to avoid filling with water.
- 5 Mount the horn bracket as shown using the provided 1/4" bolt, nut, and washer.



Driver's Side Intercooler Brackets



Intercooler Installed



Pass. Side Intercooler & Horn Relocation

## H.O. I/C Tubing

For Race Intercooler Skip to Page 21

- 1 Slide the short leg of the extended 90° silicone coupler over the volute of the procharger. Secure with #52 hose clamps.
- 2 Slide the long leg of the extended 90° silicone coupler over the driver's side airbox. Secure with #52 hose clamps.
- 3 Using the provided 3-1/2" diameter rubber hose, connect the passenger's side airbox to the throttle body connection, and secure using two #56 hose clamps.
- 4 Tighten all hose clamps.
- 5 Install the intake air temp sensor into the bung on the back side of the passenger's side airbox. Use a small amount of WD-40 or silicon paste on the sensor o-ring to assist installation of the sensor. Note the orientation of the locking tab on the sensor and the notch on the bung. The sensor must be inserted into the bung, then turned clockwise until the sensor locking tab slides over the notch on the bung.



Tube and Reducer Installation



Throttle Body Connection



Intercooler and Tubing Installed

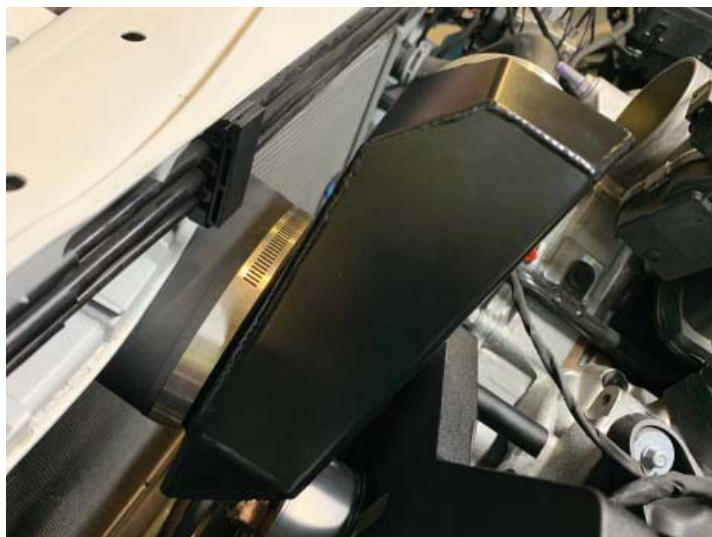


## Race I/C Tubing

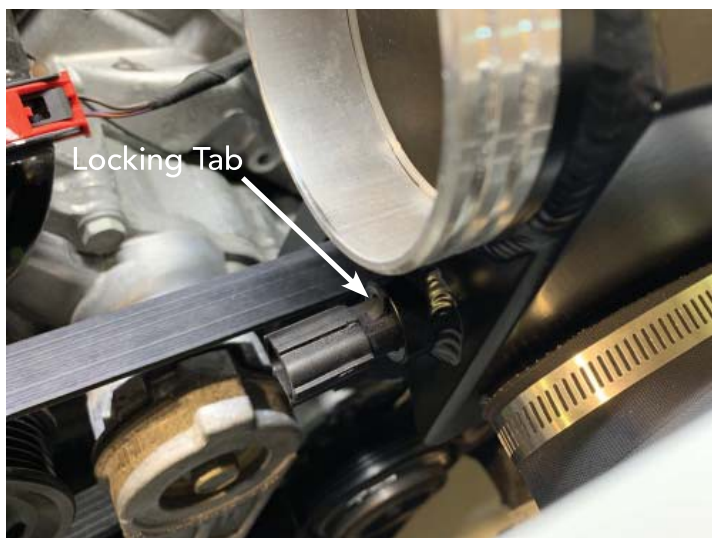
For H.O. Intercooler Skip to Page 22

✓ **Tech Tip:** For Race Intercooler fitment tabs on the hood latch may need bent down.

- 1 Slide the 4" diameter rubber coupler between the radiator and core support and connect it to the top port on the intercooler. Slide the (2) #72 hose clamps over the coupler, with the screw located on the top.
- 2 Connect the air plenum to the 4" rubber coupler. Tighten the hose clamps.
- 3 Place a small amount of lube on the IAT sensor and insert it into the bung on the air plenum. Note location of the locking tab. Twist the sensor until it is locked into place.
- 4 Connect the sensor to the factory wiring harness using the IAT extension harness.
- 5 Connect the air plenum to the throttle body using the silicone 3.5" 90° elbow. Secure the silicone coupler with the supplied T-bolt clamps.



Air Plenum Connection



IAT Sensor in Air Plenum



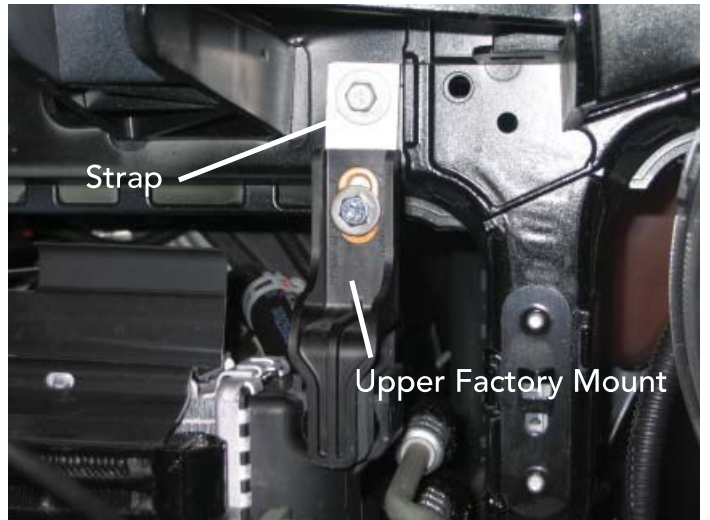
Throttle Body Tube Installed

## Radiator Relocation

- 1 Reinstall the cooling fan. Plug in the electrical connector.
- 2 Mount the factory radiator cradle back onto the vehicle, spacing it downward using the provided 1-1/4" spacers (four total), M8 bolts and washers. Tighten the four bolts.
- 3 Mount the provided straps (two total) to the upper radiator mount bolt hole locations using the factory hardware.
- 4 Using the two provided M6 x 35mm bolts, washers, and locknuts, mount the factory upper radiator mount to the bottom of the straps from step 2. Be sure to slide the rubber mounts over the top of the radiator to securely hold it in place. Push down on the mount so it makes maximum contact with the radiator, and tighten the bolts.



Radiator Cradle Spacing (Pass. Side)



Upper Radiator Mount Relocation

## Race I/C Tubing

For H.O. Intercooler Skip to Next Section

- 1 Slide the silicone 135° elbow onto the discharge of the Procharger. Cut the ends as needed for proper fitment. Slide tube #199 into the open end of the elbow, secure each connection using the supplied 3.38" and 3.25" t-bolt clamps. Use a 7/16" socket to tighten.
- 2 Slide the long straight rubber coupler onto the open end of tube #199. The other end should go through the triangular opening in the fender.
- 3 Slide the surge tube #364 into the open end of the long straight coupler. If using the optional race valve, use tube #368.
- 4 Slide the short leg of the 3" extended 90° silicone elbow onto the surge tube.
- 5 Slide the long leg of the 3" extended 90° silicone elbow onto the intercooler.



Blower Discharge Connection



Surge Tube Installed



Race Intercooler Connection

# SURGE SYSTEM

- 1** Slide the 1-1/2" rubber 90° coupler onto the open 1-1/2" bung located on the surge tube (tube #364). Trim hose if extra room is needed.
- 2** Slide the surge valve onto the open end of the rubber coupler as shown. Place the filter onto the end of the valve. Ensure the surge valve linkage is unobstructed.
- 3** Secure the connections with #20 hose clamps.
- 4** If optioned with a race valve, install the race valve onto tube #368 using the supplied o-ring and screws. Use the supplied pushlock hose and fittings instead of vacuum line.



Surge Valve Installed



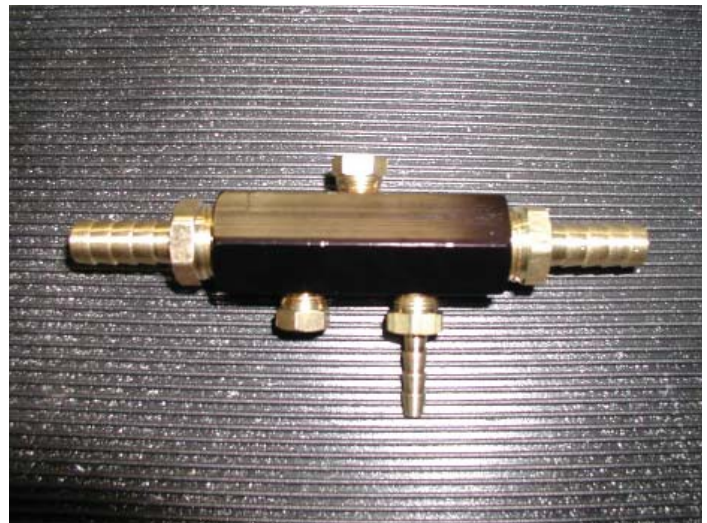
Optional Race Valve Installed

# VACUUM MANIFOLD

- 1 Assemble the supplied vacuum manifold as shown. If you have or are installing a boost gauge, do not install the plug, use an additional barb fitting. Thread each fitting into the manifold. Thread the 3/8" barbed fittings onto each end of the manifold.
- 2 Locate the brake booster hose on the driver's side near the firewall. Remove a 3-1/2" section of this hose in order to place the manifold in-line.
- 3 Mount the manifold by sliding each barbed fitting into the open ends of the brake booster hose. Secure the connections with the provided #06 hose clamps.
- 4 Be sure the brake booster hose connections are tight; verify the connection to the booster did not come loose as well.

**!** **Warning:** *Improper clamping of the splice into the brake booster hose could cause a vacuum leak and could cause the power brakes to become inoperable. Use extreme caution in installing the vacuum manifold to prevent any possible leaks.*

- 5 Using the provided 3/16" vacuum line, connect one end onto the barb located on the surge valve, and route it to the open barb located on the vacuum manifold. Be sure to zip tie the line for clearance from moving components, as well as the exhaust manifold.



Vacuum Manifold Assembled



Vacuum Manifold Installed

# FUEL SYSTEM

✓ **Note:** This section only applies to Complete Systems.

- 1 To remove the factory MAP sensor located on the passenger's side of the intake manifold rotate counterclockwise and remove.
- 2 Remove the o-ring from the factory MAP sensor and install it onto the supplied MAP adapter fitting. Install the new supplied MAP sensor into the MAP adapter fitting with the (2) supplied M4 screws and tighten with a 7mm.
- 3 Insert the MAP adapter into the intake manifold and rotate clockwise. Connect the electrical harness to the new MAP sensor.



MAP Sensor Installed

## Fuel Injectors

- 1 Reconnect the battery.
- 2 Remove relay 46 from the panel in the trunk.
  - ✓ **Tech Tip:** Check your owners manual to ensure you are pulling the proper relay. Some models require the removal of the #6 20 amp fuse located in the trunk for power to the fuel pump to be off.
- 3 Crank the engine for 15 seconds.
- 4 Disconnect the battery.
- 5 Unclip the wiring harnesses from each injector. Remove the four 14mm bolts securing the fuel rails to the manifold. Pull the fuel rails up off of the manifold to gain access to the fuel injectors
- 6 Remove the fuel injector retaining clips from the injectors and rails. Remove the injectors by pulling them straight out of the rails.
- 7 Install the new injectors, followed by the factory retaining clips.
- 8 Mount the spacers on the manifold, push the injector and rail assembly into place, and tighten the rails with the new hardware. Re-install each wiring harness to each injector.

Relay 46



Electrical Panel

Rail Spacer



Fuel Rails Installed

## COOLANT RESERVOIR

- 1 Remove the stud on the front cover of the engine with a 15mm wrench. Loosen but do not remove the top alternator bolt with a 15mm wrench (see image at right).

Loosen Bolt

Remove Stud



Coolant Reservoir Mounting Locations

- 2 Apply thread sealer to the 3/4" 90° brass barbed fitting and install it onto the bottom of the new reservoir. Point the fitting in the direction shown. Apply thread sealer to the 3/8" 90° barb fitting and install it onto the side of the reservoir. Install the final 3/8" 90° brass barb fitting onto the back of the tank and aim it down and towards the ground.

Fitting Direction



3/4" Brass Fitting Direction

- 3 Mount the reservoir, sliding the slotted bracket between the head of the upper alternator bolt and alternator unit. Align the upper bracket with the hole in the front cover where the stud was removed. Using the factory hardware, secure the reservoir to the vehicle.



Remote Reservoir Mounted



## 6.4L Models Only

5.7L Models Skip to Next Page

- 4 From under the vehicle, locate the plastic "T" fitting in the lower radiator hose. Remove the 3/4" hose, it will no longer be used.
- 5 Disconnect the clamps on both side of the "T" fitting and remove it from the radiator hoses. Flip the fitting around and reinstall so the 3/4" fitting is now pointed towards the passenger's side as shown.
- 6 Attach the supplied 3/4" rubber hose to the "T" fitting and secure with a #12 hose clamp.
- 7 Route the hose along the fan, then up to the 90° fitting underneath the coolant reservoir. Secure with a #12 hose clamp. Use the supplied zip ties to secure the hose.



Coolant Fitting Reversed (6.4L)



New Coolant Hose Routed (6.4L)

## Coolant Reservoir

- 8 Locate the open end of the factory 3/4" rubber hose that was connected to the factory coolant tank. Insert the supplied 3/4 x 3/4 brass barb fitting into the open end of the hose.
- 9 Attach the new supplied 3/4" rubber hose to the bottom fitting on the new ProCharger coolant reservoir. Route the hose down toward the bottom of the radiator fan.
- 10 Route the new 3/4" hose along the bottom of the fan and up to the brass fitting installed into the factory 3/4" hose. Secure all connections with #12 hose clamps.



Factory 3/4" Hose



New 3/4" Hose Connected

- 11 Install the 3/8" x 3/8" barbed fitting onto the 3/8" factory coolant line. Slide the longer supplied section of 3/8" hose onto the open end of the barb. Secure connections with #6 hose clamps.



Coolant Hoses Connected

- 12 Run the factory 3/8" line under the front of the intake manifold and to the side of the reservoir and slide the hose onto the barbed fitting. Secure the connection with a #6 hose clamp.
- 13 Slide the short section of 3/8" hose onto the open barb on the back side of the reservoir. Route the hose around the back of the reservoir, and down towards the ground for an overflow vent. Secure the hose to the filler neck with a #6 hose clamp.
- 14 Verify that all of the coolant lines are not kinked, and all have clearance from belts and pulleys. Zip tie lines for protection.
- 15 Fill the reservoir to line indicated on the label found on the side of the reservoir.
- 16 Place a vacuum pump on the coolant reservoir to remove any air from the cooling system. Refill the coolant as needed.
- 17 Install the new supplied 16 psi cap on the coolant tank.



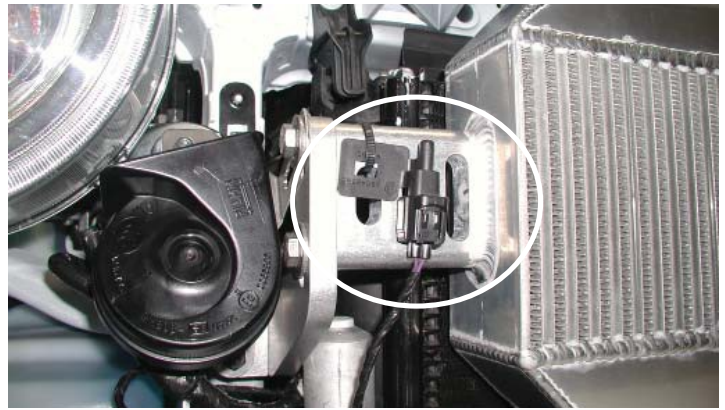
Pressure Relief Line Routing and Fill Line



**Warning:** Overfilling the coolant reservoir can cause permanent damage to the reservoir. Fill only to the indication line on the side of the reservoir.

## FINISHING

- 1** Locate the ambient air temperature sensor on the passenger's side of the vehicle. Zip tie the sensor to the passenger's side intercooler bracket (note the image at right).
- 2** Re-install the front fascia onto the vehicle in the reverse order it was taken off. Reconnect fog lights and bumper lights. Tighten all hardware.
- 3** Replace the factory underside cladding using the factory hardware.
- 4** Reinstall the radiator cover.



Ambient Air Temp Sensor Mounted

- 5 Drill a 1/2" hole in the end of the air filter. Insert the supplied 5/8 plastic 90° hose barb fitting into the hole.
- 6 Temporarily install the plastic inlet tube over onto the supercharger.
- 7 Route the provided molded rubber hose to the factory PCV fitting from the plastic fitting. Trim as needed.
- 8 Place the supplied air filter onto the plastic inlet tube. Install the plastic inlet tube onto the supercharger. Mark the engine cover where it will need to be trimmed for the air filter and plastic tube.
- 9 Remove the inlet tube and trim the engine cover. Reinstall the inlet tube. Attach the PCV hose to the plastic barb. Secure the filter and plastic inlet tube with hose clamps.
- 10 Set the engine cover over engine. Trim the cover to clear the new coolant reservoir.



Cover Trimmed for Air Inlet



Cover Trimmed for Coolant Reservoir

- 11 Reconnect the battery.
- 12 Start the vehicle and let it go through one heat cycle. After the engine has cooled down, recheck fluid levels.



**CONGRATULATIONS! YOU HAVE SUCCESSFULLY COMPLETED THE INSTALLATION OF YOUR NEW PROCHARGER SUPERCHARGER SYSTEM!**

**PLEASE CONTINUE READING THE FOLLOWING PAGES FOR IMPORTANT INFORMATION ABOUT HOW TO MAINTAIN YOUR SUPERCHARGER SYSTEM.**

# OPERATION AND MAINTENANCE

## Cold Starting

Never race your engine and ProCharger supercharger when your engine is cold. Allow the water temperature to climb into operating range for several minutes before driving above 2,500 rpm, to ensure adequate oil lubrication.

## Fuel Quality

With a properly installed intercooled ProCharger supercharger system, detonation should not occur. For the best performance and reliability, use premium grade fuel (91 octane or higher). Listen for signs of detonation after refueling, and after replacement or modification of any fuel system component(s). If detonation occurs, reduce the throttle and locate the source.

## Ignition System Maintenance

If your spark plugs are more than a year old or have more than 10,000 miles logged, you should consider changing them before driving your vehicle under load. Spark plug wires should be changed if visibly damaged or when resistance exceeds factory specifications.

## Air Filter Maintenance

Your air filters should be cleaned periodically, potentially as often as every 10,000 miles or 6 months, even though a service interval of 50,000 - 100,000 miles is quoted by the manufacturer under normal driving conditions. A clogged air filter will result in decreased boost levels and vehicle performance. Be sure to re-oil the cleaned filter before re-installing. Always operate your vehicle with an air filter, failure to do so may result in damage to your ProCharger supercharger and personal injury!

## Belt Replacement

The serpentine belt, which turns your ProCharger supercharger, will stretch after initial run-in, and should be retightened after the first hundred miles. Tighten the belt sufficiently to avoid slippage, but do not overtighten. Overtightening the belt could cause damage to the ProCharger supercharger's precision bearings. When re-installing the belt, use the belt routing diagram in this manual. If you reuse a thrown belt and find that it needs frequent re-tightening, the belt is damaged and should be replaced. Gates Micro-V belts can be bought from ATI or from your local parts store.

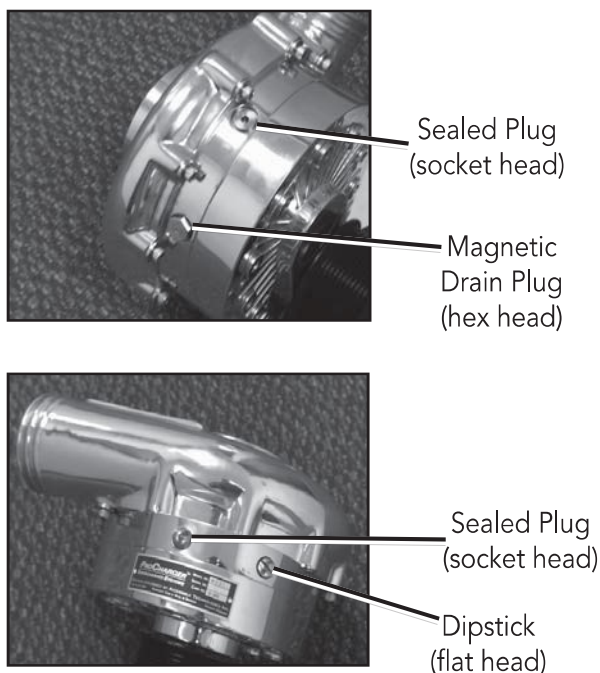
## ProCharger Oil Change Intervals

The first oil change should be performed at 500 miles and at 6,000 mile intervals thereafter. Clean drain plug after every oil change. Drain oil by removing the drain plug. Clean off drain plug before re-installing.

## ProCharger Oil Level

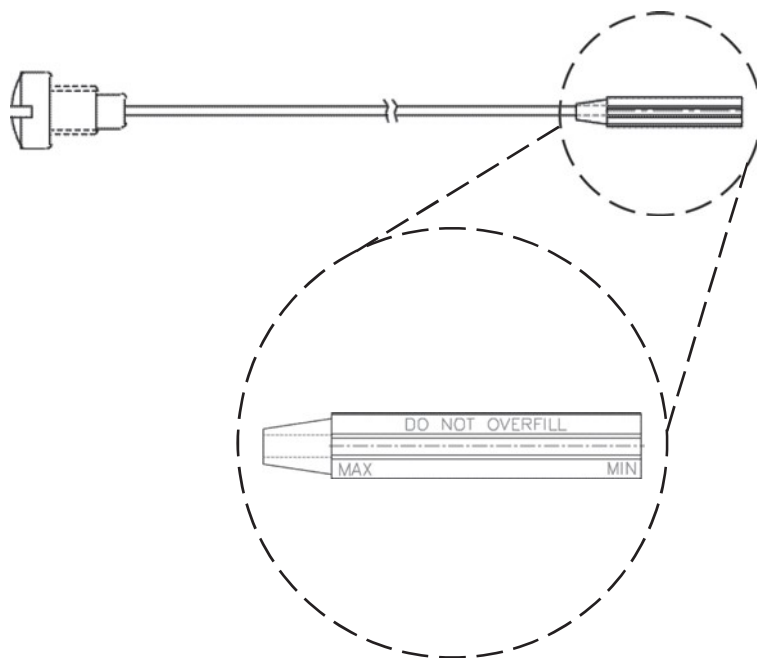
The ProCharger supercharger's oil level must be checked periodically to ensure the proper lubrication. The dipstick can be loosened using a flat blade screwdriver or a coin. When installed, the oil level should remain between the minimum (MIN) and maximum (MAX) indicators at all times.

**!** **Warning:** *Filling the ProCharger higher than the maximum level on the dipstick can lead to bearing and seal damage. The supercharger is a sealed unit and should not normally require the addition of oil between service intervals. If excessive usage is noted, the unit should be sent to ATI for inspection and repair. The dipstick fitting should be firmly tightened after changing or checking the oil level.*



## General

When removing the warning tag, be sure to retain the nylon washer. A spare nylon washer and o-ring is included. Use only the ATI supplied nylon washer and o-ring when servicing the oil dipstick and drain plug. A discoloration of the oil and residue on the drain plug may occur during the initial oil changes. This is normal and will gradually decrease. For the proper positioning of the ProCharger supercharger, the serial tag should be pointing upwards. Installing the ProCharger supercharger in another position will cause inadequate oiling and supercharger failure. If you have any questions about the maintenance of your supercharger, contact ATI.





## LIMITED WARRANTY

Accessible Technologies, Inc. (ATI) provides a limited twelve (12) month warranty on the ProCharger supercharger against defects in materials and workmanship unless otherwise specified. This limited warranty starts on the date of original purchase from your local dealer, or date of shipment from the factory. This limited warranty coverage is extended only to the original owner and excludes hoses, sleeves, and electronic components manufactured by other companies. IF THE SUPERCHARGER'S DRIVE RATIO IS ALTERED IN ANY WAY FROM THE FACTORY SETTING, WARRANTY COVERAGE IS VOID. USE OF ANY PULLEY NOT MANUFACTURED OR SUPPLIED BY ATI VOIDS ALL WARRANTY COVERAGE.

ATI's warranty obligations are limited to the terms below:

ATI agrees to honor a warranty claim at its sole discretion and only after inspection at the ATI factory. No warranty will be honored if any part of the product is found to have been improperly installed, tampered with, mishandled, or misused in any way. Disassembly of the ProCharger supercharger or removal of the ProCharger supercharger's serial plate voids all warranties. Claims for freight damages should be directed to the freight company.

If ATI's limited warranty applies, your product will be repaired or replaced at ATI's discretion and shipped back. If the limited warranty does not apply, ATI will advise you of the specific reason, cost of the repair, and delivery time. After advising you of this information we will, at your option, either proceed with repairs or return your product to you in the state in which it was received. In either case the product will be shipped to you, insured at replacement value. Therefore, you will pay the return shipping and insurance charges if ATI's limited warranty does not apply to your product.

THE WARRANTY AND REMEDIES SET FORTH ABOVE ARE EXCLUSIVE AND IN LIEU OF ALL OTHERS, ORAL OR WRITTEN, EXPRESS OR IMPLIED. THE DURATION OF ANY AND ALL WARRANTIES ON THE PRODUCTS DISCUSSED ARE LIMITED TO THE PERIOD IDENTIFIED ABOVE. ATI IS NOT RESPONSIBLE IN ANY EVENT FOR DIRECT, SPECIAL, INCIDENTAL OR CONSEQUENTIAL DAMAGES. No ATI dealer, agent, or employee is authorized to make any modification, extension, or addition to this warranty.

To obtain service under this warranty you must do the following during the warranty period:

Phone ATI (913-338-2886) and provide us with the following information:

- ProCharger supercharger serial number.
- Vehicle year, make, model, engine modifications, and other modifications.
- Description of perceived issue.

If a solution to your issue can not be found after the above phone consultation, you will be assigned a return authorization number (RMA). You must then properly package and ship your product, at your expense, to the ATI factory. The product should be carefully packaged in a rugged box.

**Include the following information inside the box with your product:**

- Copy of your original invoice or receipt.
- Name, address, and daytime telephone number.
- Return authorization number (RMA).
- Vehicle year, make, model, engine modifications, and other modifications.
- Description of perceived issue.

Clearly mark the warranty claim number on the top and one side of the box in characters at least 2" tall. Properly package the product and ship it, prepaid and insured for the retail value of the component(s) being returned, to the following address:

**Accessible Technologies, 14801 West 114th Terrace,  
Lenexa, Kansas 66215**

This Page Is Left Intentionally Blank.

This Page Is Left Intentionally Blank.



**Accessible Technologies, Inc.  
14801 W. 114th Terrace  
Lenexa, KS 66215  
Phone: 913.338.2886  
Fax: 913.338.2879  
techserv@procharger.com**

**Accessible Technologies, Inc.  
©2019 ATI, All Rights Reserved  
Part Number PMDK1A-001 Rev. A**

